

# WATER SUPPLY & PRESSURE PUMPS

## Jet Pumps

### DHJ SERIES

DHJ600P



#### APPLICATION

- House & garden water supply
- Rainwater tank pump set
- Water transfer

#### FEATURES

- Automatic pressure controller (Start & Stop on demand)
- Run dry protection
- Suitable for toilet & laundry supply

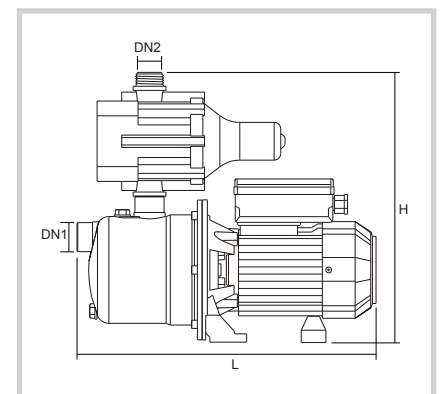
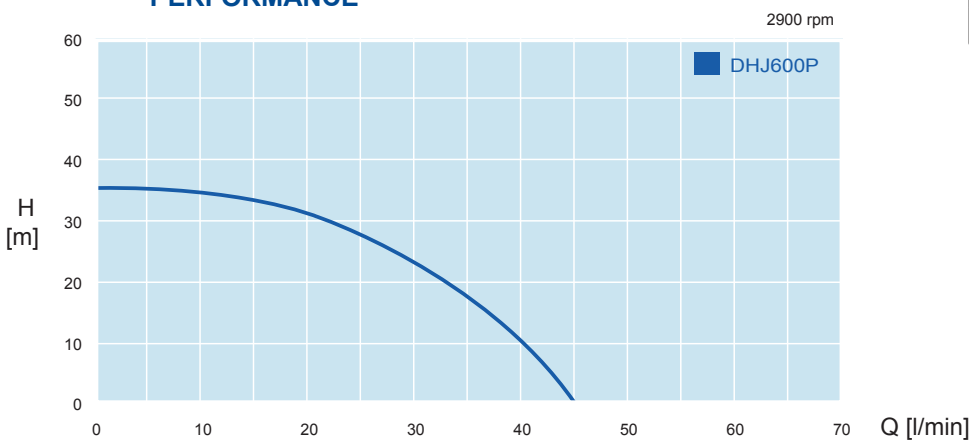
#### CONSTRUCTION

- Technopolymer pump housing
- Noryl volute, impeller & venturi
- Stainless Steel motor & pump shaft
- Brass coupling
- Carbon / Ceramic mechanical seal
- Motor IP44

#### DIMENSIONS

Pump Model	Size (mm)		DN1	DN2	G.W (KG)
	H	L			
DHJ600P	385	337	25F	25M	8.1

#### PERFORMANCE



#### TECHNICAL DATA

Pump Model	Tap Qty Guide	Pump Style	Power (P1) (kW)	Amps (A)	Voltage (V)	CONNECTION		
						Inlet (mm)	Outlet (mm)	Cable (mtrs)
DHJ600P	3	Jet & Venturi	0.6	2.5	220-240V	25	25	1.5