

Truck Water Tank



3 YEAR WARRANTY

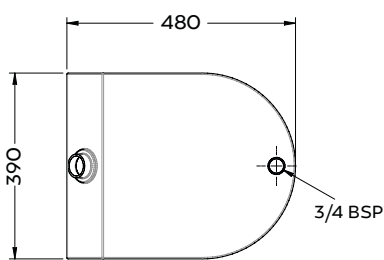
- Built to last, using UV stabilised food grade polyethylene. BPA free.
- Includes strap kit, tap and cap
- Can be made to store Diesel fuel. Contact us for a quote.
- Includes our 3 Year Manufacturer's Repair or Replacement Warranty.

SPECIFICATIONS

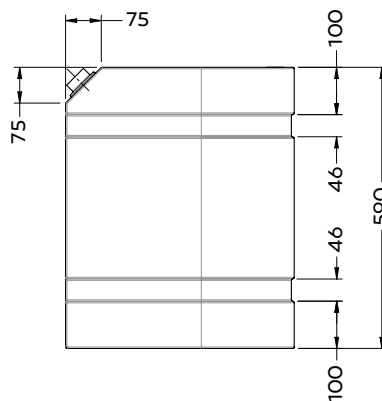
Water Capacity: 75 Litres **Weight:** 5 Kgs (empty)

Standard configuration only.

Top View



Side View



Base View

